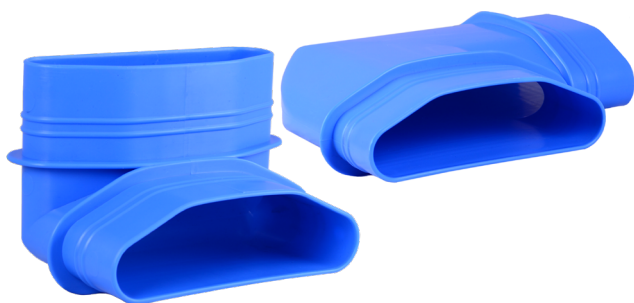


Plastic elbow for oval semi-rigid ducting **FLX-VBH/FLX-VBW**



Description

FLX-VBH/FLX-VBW oval plastic elbow have male ends to connect with HDPE semi-rigid oval ducts sized 132-52 mm.



FLX-VBH horizontal elbow 90°: helps with a very complex routing of ductwork bends which would be impossible to make using only ducting.



FLX-VBW elbow: enables quick turn upwards of the conducted installation - which is necessary, for example, when running ducts along the floor and then the walls of the room.

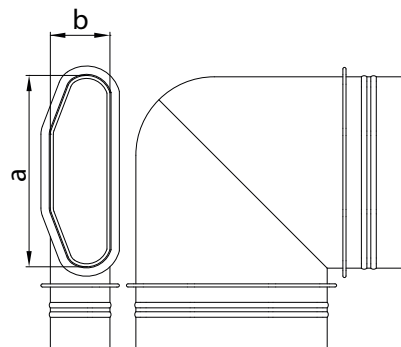
Product code example

Product code: **FLX-VBH**

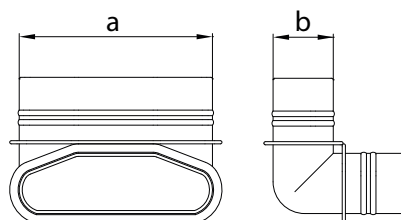
type _____

Dimensions

FLX-VBH



FLX-VBW



Product code	a [mm]	b [mm]
FLX-VBH	122	38
FLX-VBW	122	38

Technical data

Pressure loss chart for a 90° elbow

