



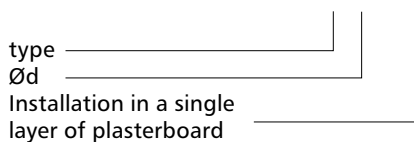
Description

The KNG gypsum ventilation diffuser is designed for installation in ceilings made of plasterboard. It is a modern ventilation solution that combines functionality with aesthetics. This elegant interior design element is made of high-quality plaster, giving it durability and resistance to damage. The gypsum diffuser is not only a functional ventilation element, but also a decorative accent that blends in perfectly with different interior styles. It can be painted in any colour to match the chosen aesthetic of the room.

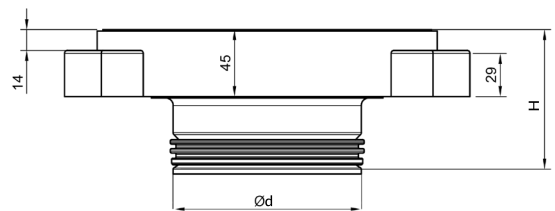
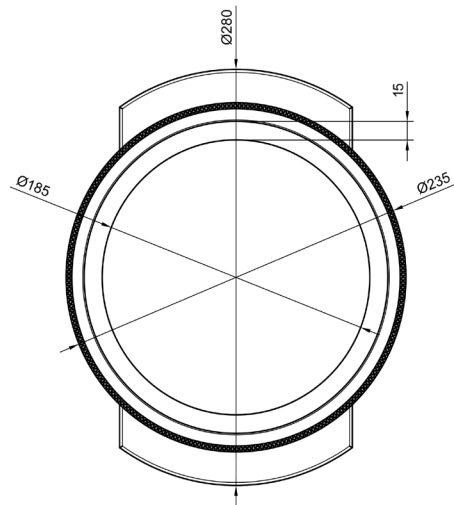
Material: gypsum

Product code example

Product code: **KNG-125 - 1P**



Dimensions



*Dimension tolerance – (+/-) 5 mm

Index	Ød [mm]	H [mm]	Weight [kg]
KNG-100-1P	100	90	0,280
KNG-125-1P	125	85	0,285

Gypsum diffuser **KNG**

Technical specifications

Parameters

The volumetric flow rate q [m^3/h] and the total pressure loss P_t [Pa] can be read off the chart.

