

Metal air exhaust valve

KWO-RML



Description

KWO air exhaust valves can be installed in the ceiling, on the wall or directly in the mouth of a ventilation duct using a dedicated RML sealed mounting frame. They allow smooth adjustment of the air exhaust flow rate by rotating the disk closure in the centre. The air flow rate depends on the opening ratio, i.e. the distance between the disk closure distance and the round bezel, and it is set with a locknut. The carefully designed geometry of the valve guarantees low noise level as well as quick and easy installation.

The standard air exhaust valves are supplied with a sealed mounting frame (product code: KWO-RML).

Available materials — Product code examples

KWO-RML-... - galvanized steel sheet, powder-coated finish high-gloss RAL 9016

Product code example

Product code: **KWO-RML - aaa**

type _____
 Ød _____

Technical specifications

The following performance parameters:

volumetric flow rate, q (l/s or m^3/h), total pressure drop, P_t (Pa), and sound pressure level, L_A (dB(A)), can be read from the chart.

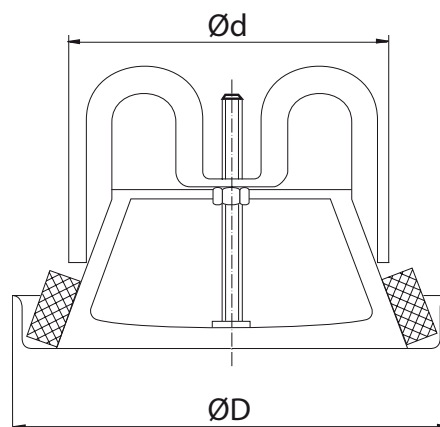
Pressure drop, P_t

The charts show the total pressure drop, P_t (Pa).

Sound pressure level, L_A

The charts show the sound pressure level, L_A (dB(A)). The noise level is shown for the sound insulation level at 4 dB indoors, which corresponds to sound insulation performance in the reverberation zone at the room absorption level for 10 m^2 according to SABINE's formula.

Dimensions



$\varnothing D_{nom}$ (mm)	$\varnothing A$ (mm)	Weight (kg)
100	130	0.3
125	160	0.4
160	190	0.5
200	235	0.8

Sound pressure level, L_A (dB(A))

Dimensions (mm)	Mean frequency (Hz)						
	125	250	500	1000	2000	4000	8000
100	-6	-3	-3	-4	-9	-13	-27
125	-7	-6	-5	-8	-4	-12	-28
160	-3	-7	-5	-2	-12	-16	-29
200	-5	-7	-8	-2	-9	-13	-30
tolerance	3	2	2	2	2	2	3

Sound insulation level (dB)

Dimensions (mm)	Mean frequency (Hz)							
	63	125	250	500	1000	2000	4000	8000
100	23	18	14	12	12	14	5	6
125	21	17	12	11	12	11	7	6
160	19	14	12	11	11	14	5	7
200	15	13	11	11	13	12	7	7
tolerance	6	3	2	2	2	2	2	3

Metal air exhaust valve KWO-RML

Technical specifications

Selection charts

